

# DK 892 CX AUS

## 60cm Built In Double Oven



### 60cm Built In Double Oven

#### Features and Benefits:

<b>8 Cooking Functions in Main oven</b>	Multi-Level, Conventional, Roasting, Baked Cakes, Fish, Fan Forced, Bread.
<b>Smaller second oven</b>	Smaller top oven offers variable cooking functions, Grill, Traditional and Twin grill
<b>Self Cleaning Catalytic Liners</b>	Located on the Sides and Back of the oven cavity, you only need to clean the door and base of the unit on a regular basis making maintenance extremely easy
<b>Small oven located on Top</b>	Making the main oven at a more accessible height when build into the wall
<b>Digital Touch Control</b>	Easy to read digital touch control and LED timer
<b>Triple Glazed Door</b>	Cool touch door makes it safer for all the family in the kitchen. Less chance of burning yourself if the door is accidentally touched while the oven is on.

**Distributed by Arisit Pty Ltd**

40-44 Mark Anthony Drive, Dandenong South VIC 3175  
1A Howe Street, Newton, Auckland NZ 1145

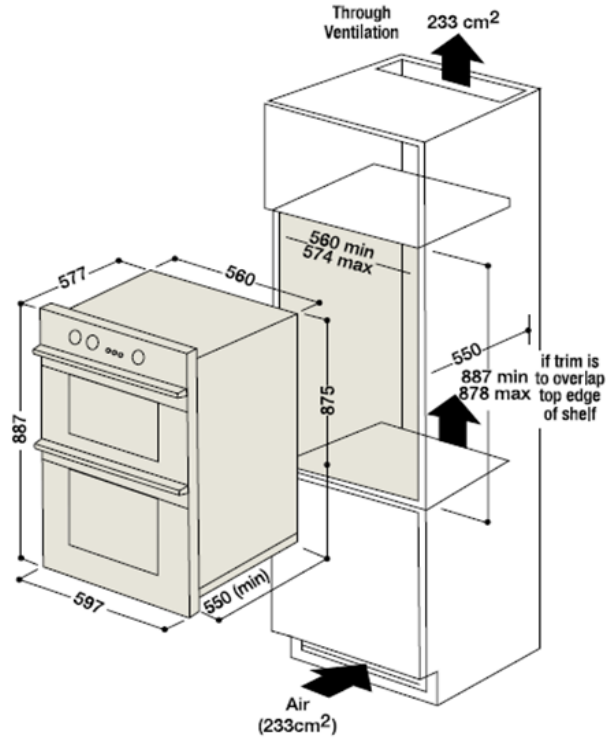
Ph: 1300 762 219  
Ph:(09) 306 1020

Fax: 03 9768 0838  
Fax: (09) 302 0077

Website: [www.arisit.com](http://www.arisit.com)

# DK 892 CX AUS

## 60cm Built In Double Oven



### Technical Specifications:

No. Functions	8/2
Oven Capacity (Gross) Main / Second	78L / 37L
Timer	Digital
No. Door Glass	3
Cleaning	Catalytic
Finish	Black Glass and Stainless Steel
Dimensions (W) x (H) x (D)	59.7 x 88.7 x 57.7

Technical	
Accessories	2 x grid, 1 deep tray, Anti-splash tray
Cooling Fan	Y
Absorbed Power	5100W
Connection	220-240V / 50Hz / 21.2 A

WARNING: technical specifications and product sizes can be varied by the manufacturer, without notice. Cut outs for appliances should only be by physical product measurements. The above information is indicative only.

### Distributed by Arisit Pty Ltd

40-44 Mark Anthony Drive, Dandenong South VIC 3175 Ph: 1300 762 219 Fax: 03 9768 0838 Website: www.arisit.com

1A Howe Street, Newton, Auckland NZ 1145

Ph:(09) 306 1020 Fax: (09) 302 0077