

DE

Deutsch, 10

EN

English, 14

IT

Italiano, 18

FR

Français, 22

ES

Español, 26

NL

Nederlands, 30

PT

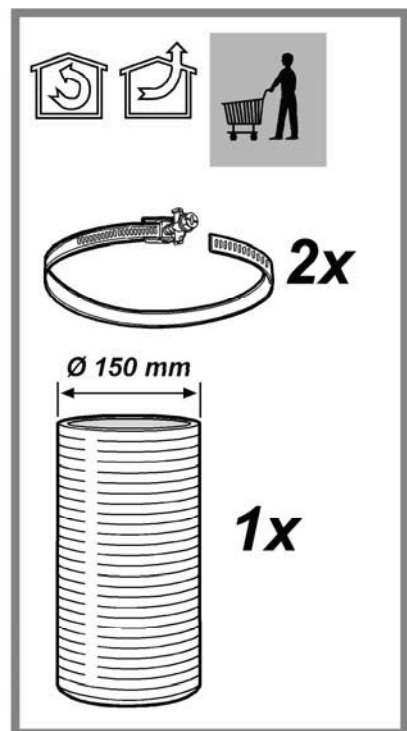
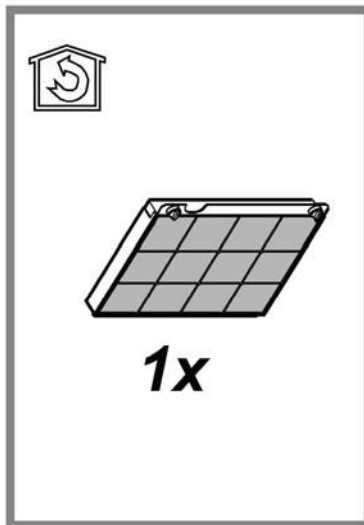
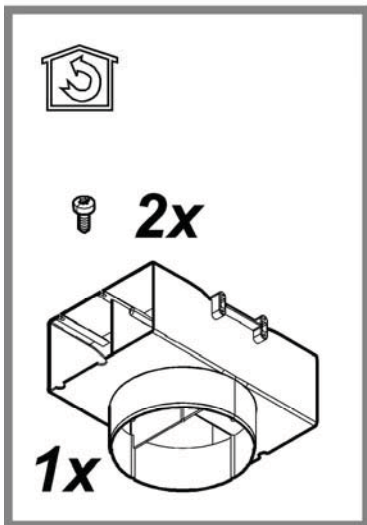
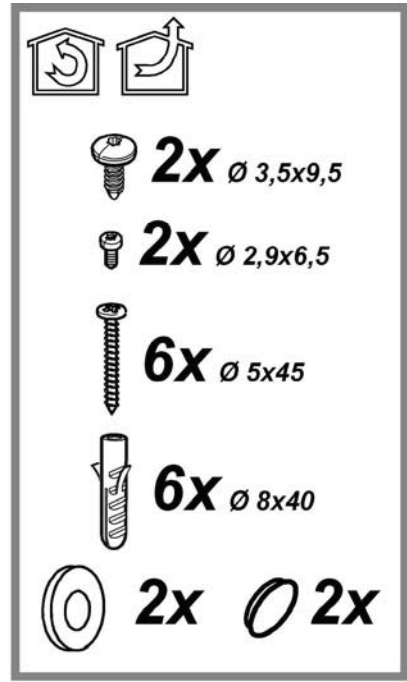
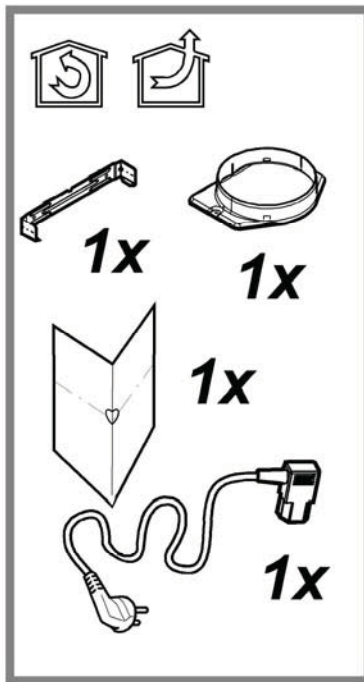
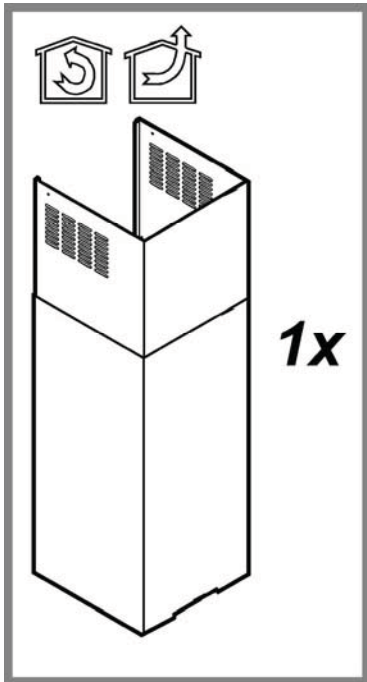
Português, 34

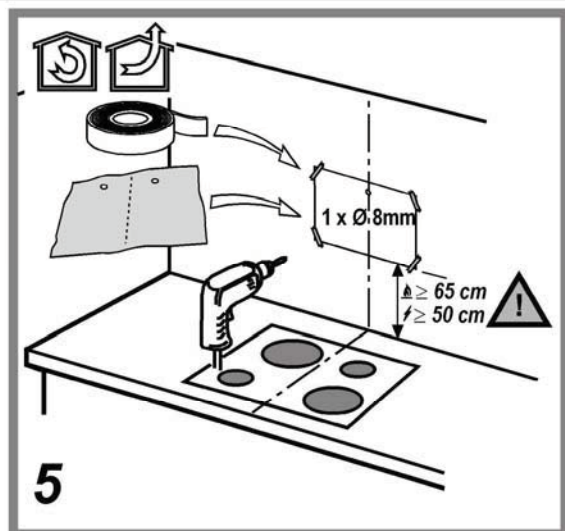
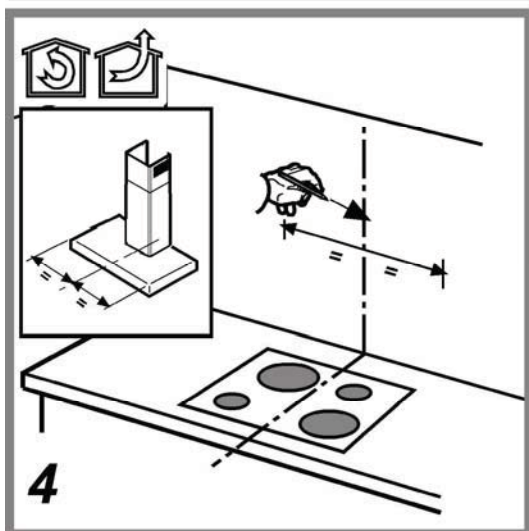
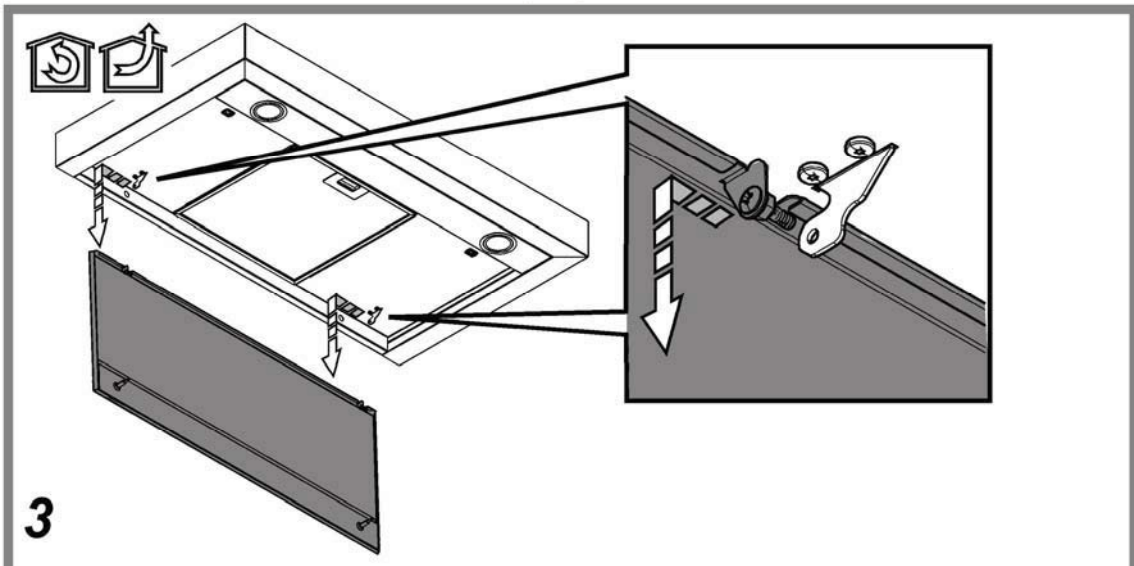
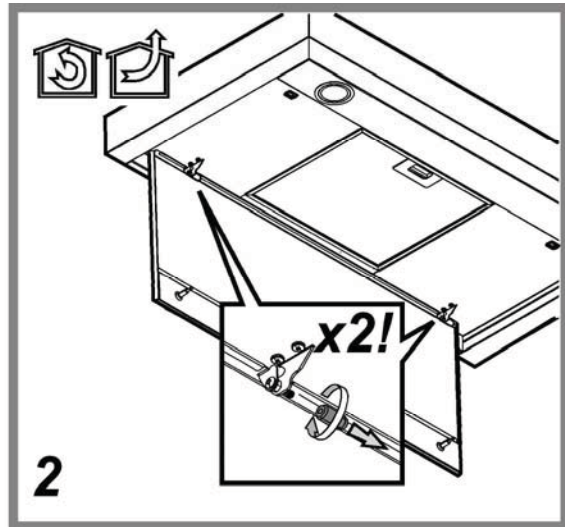
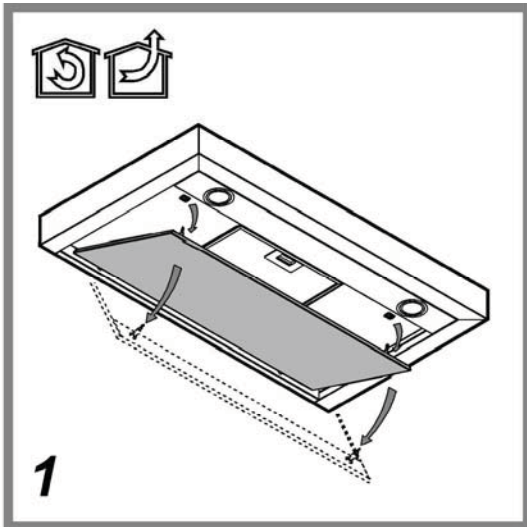
RU

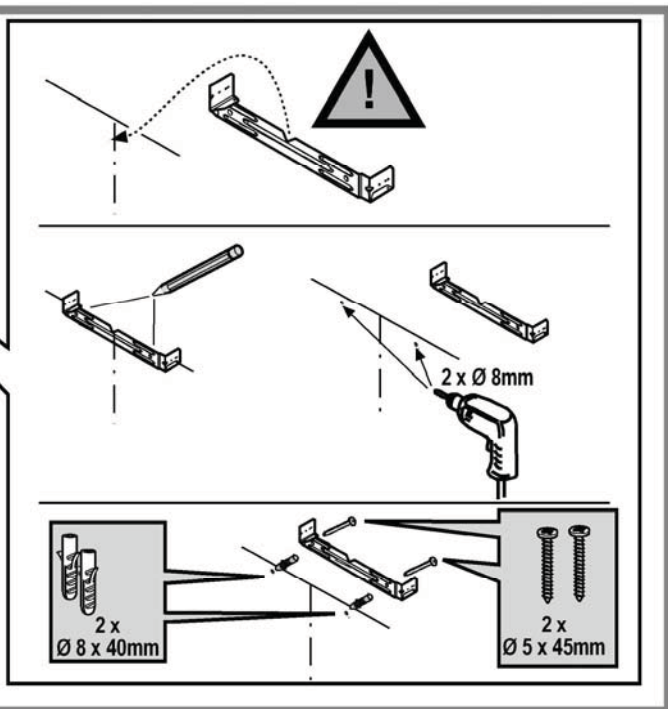
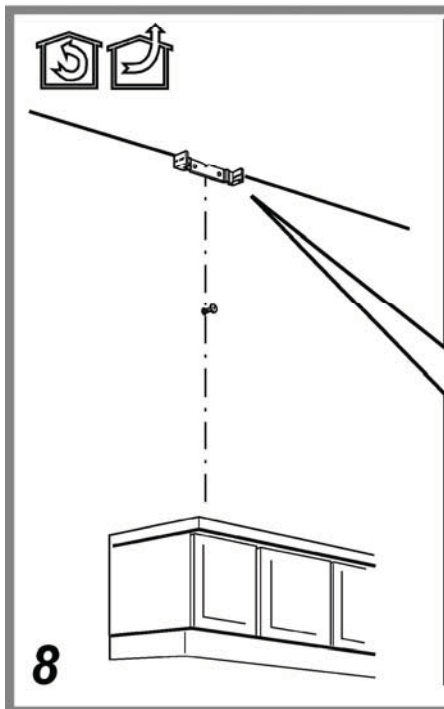
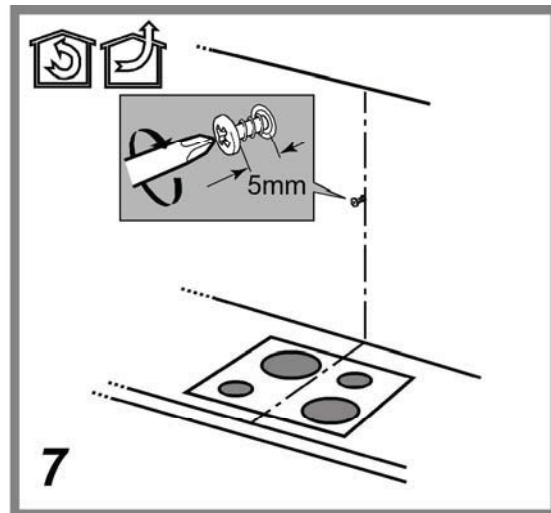
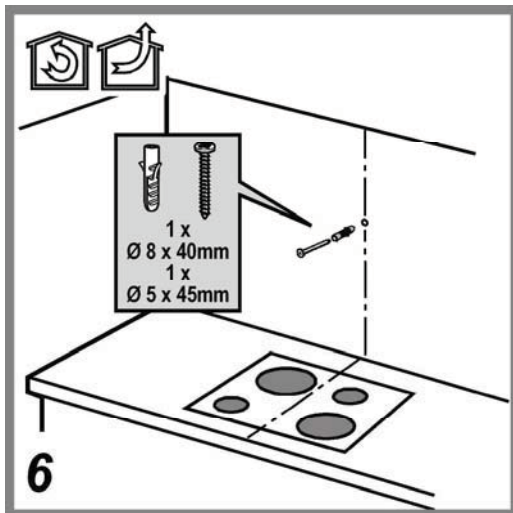
РУССКИЙ, 38

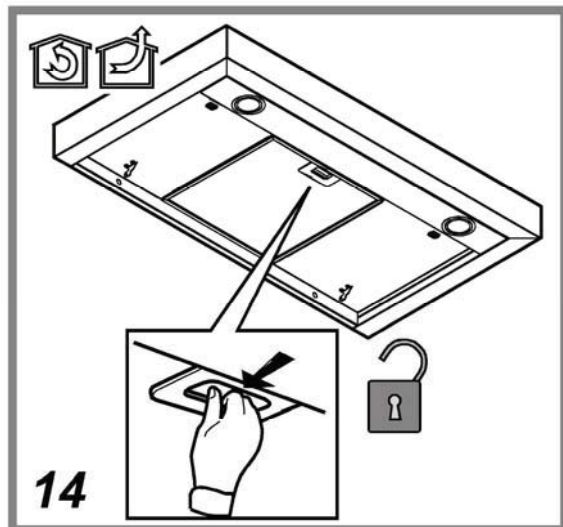
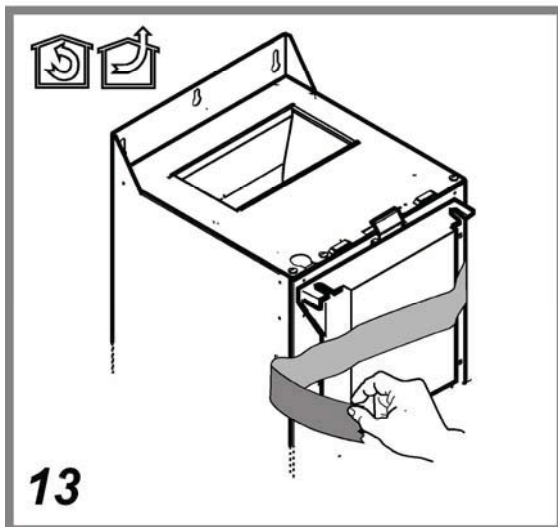
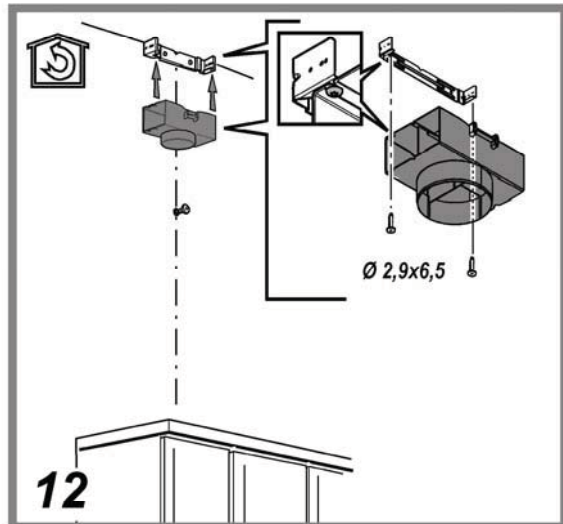
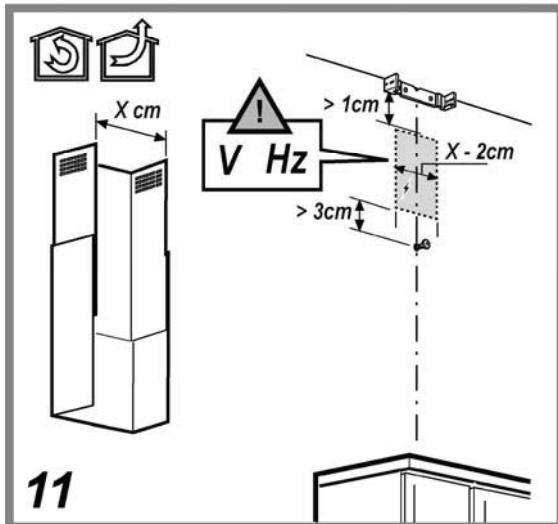
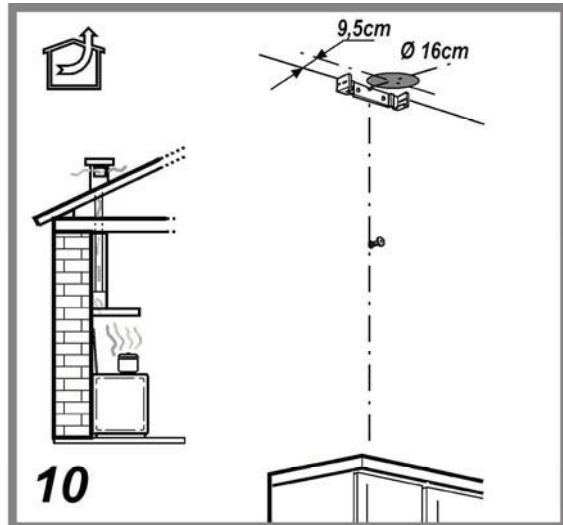
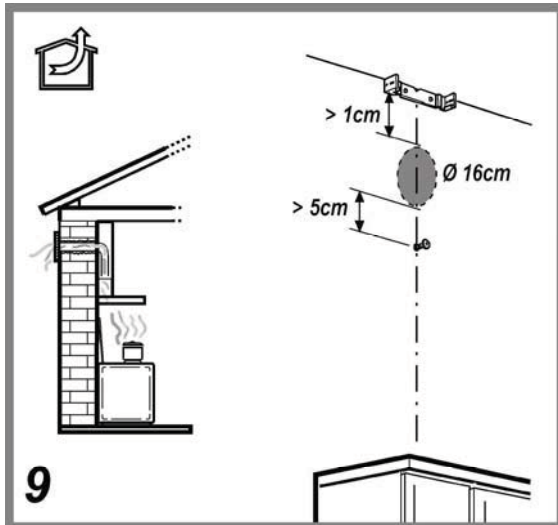
HKB 9 LS X

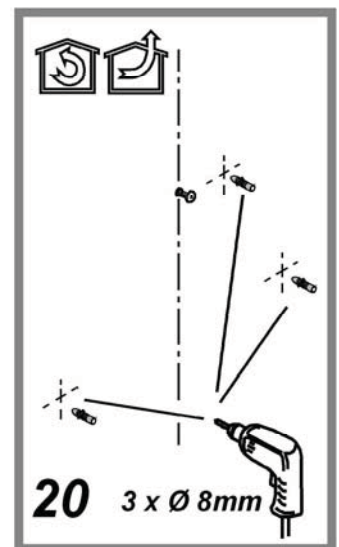
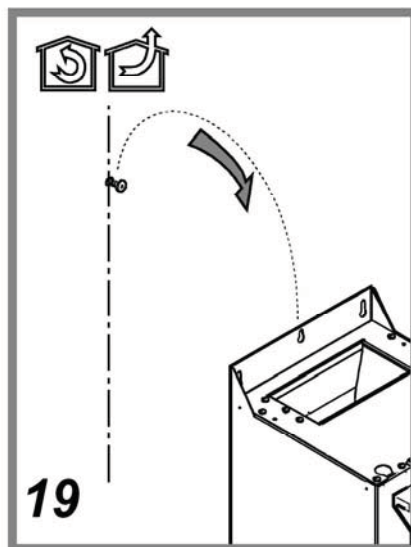
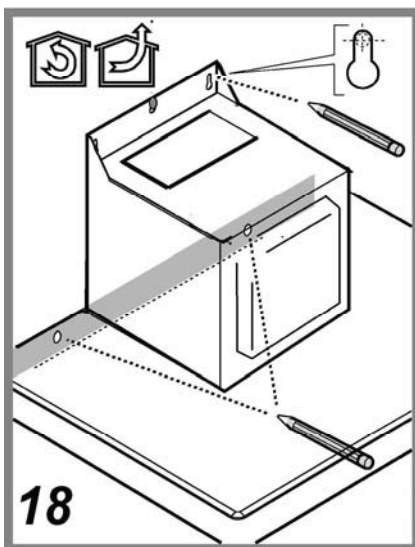
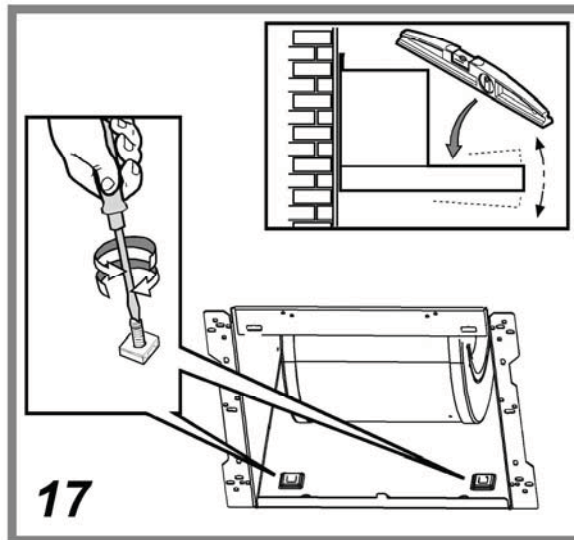
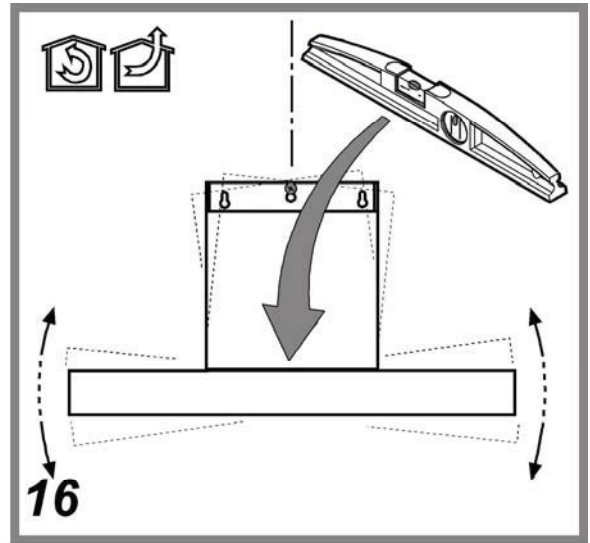
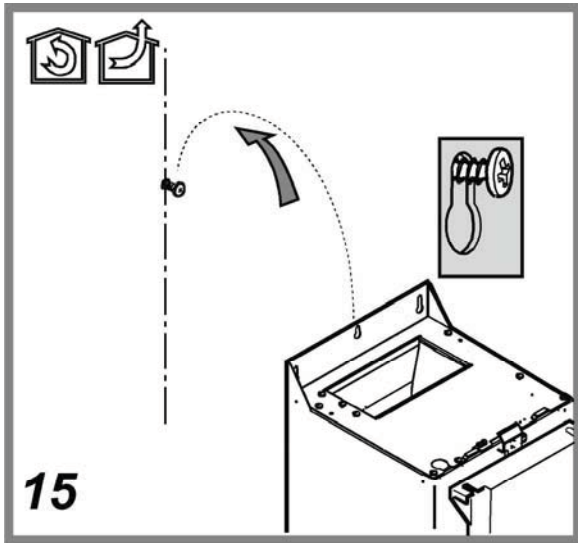
Betriebsanleitung
Instructions for use
Istruzioni per l'uso
Mode d'emploi
Instrucciones de uso
Gebruiksaanwijzingen
Instruções de uso
Инструкция по
эксплуатации

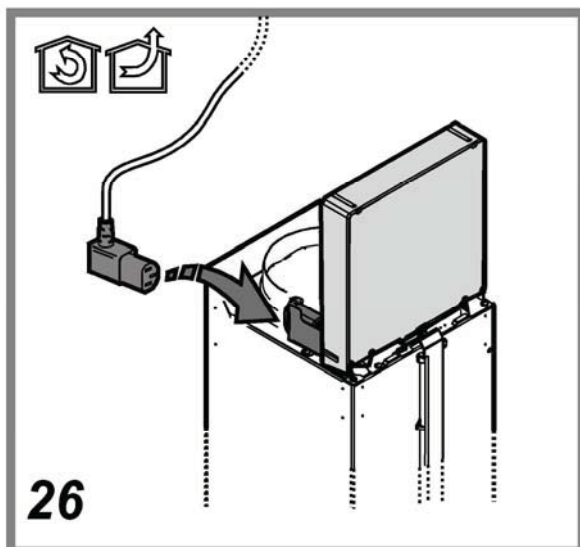
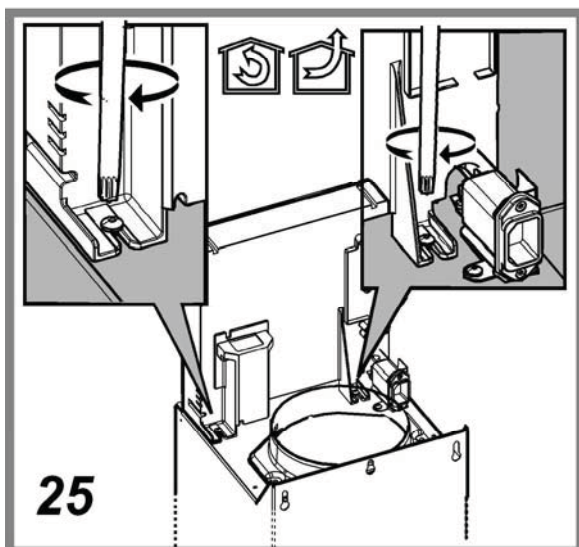
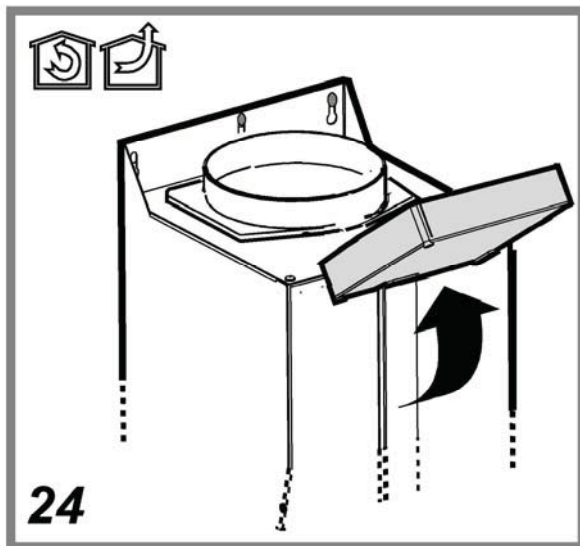
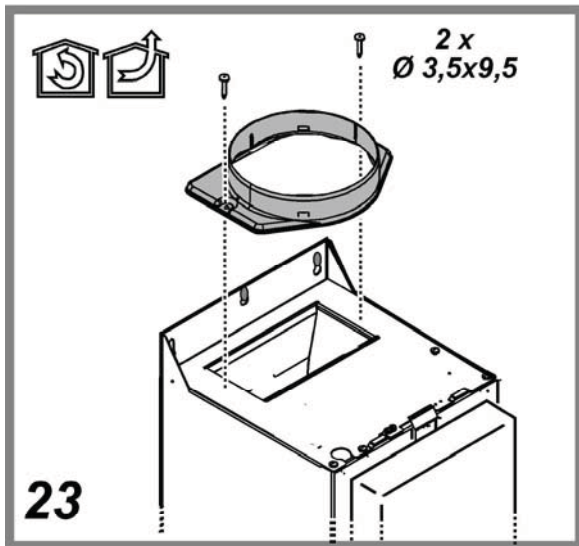
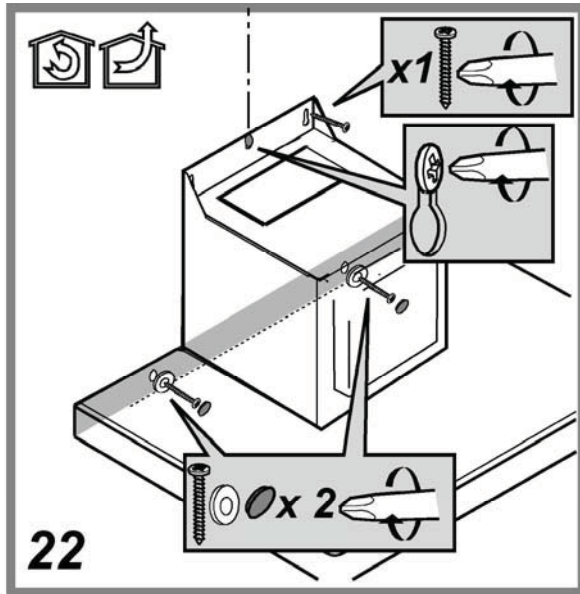
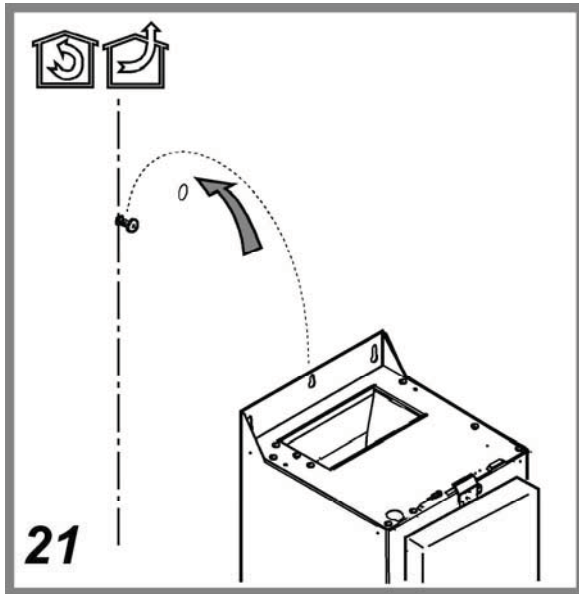


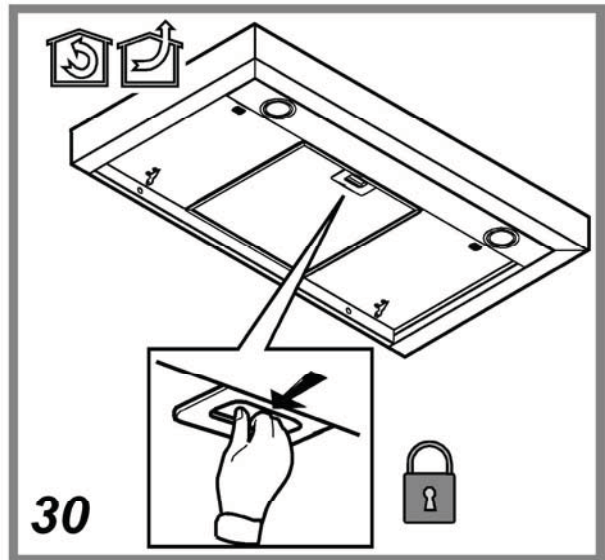
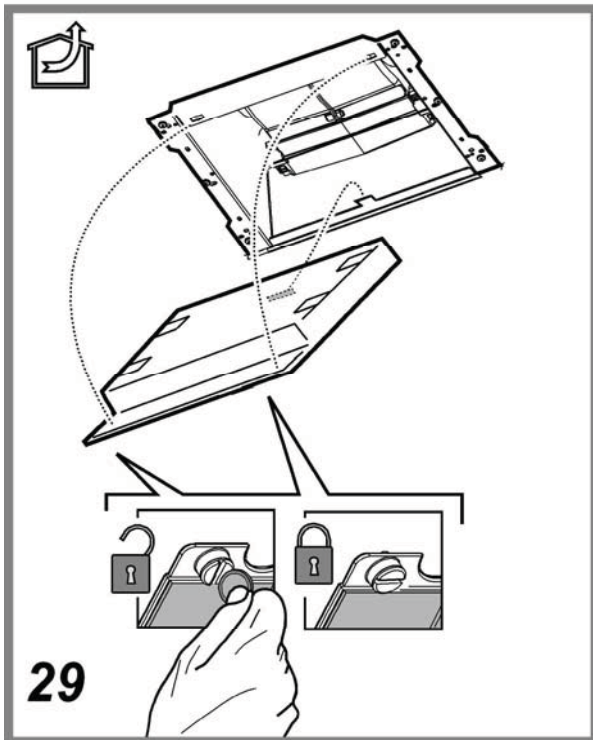
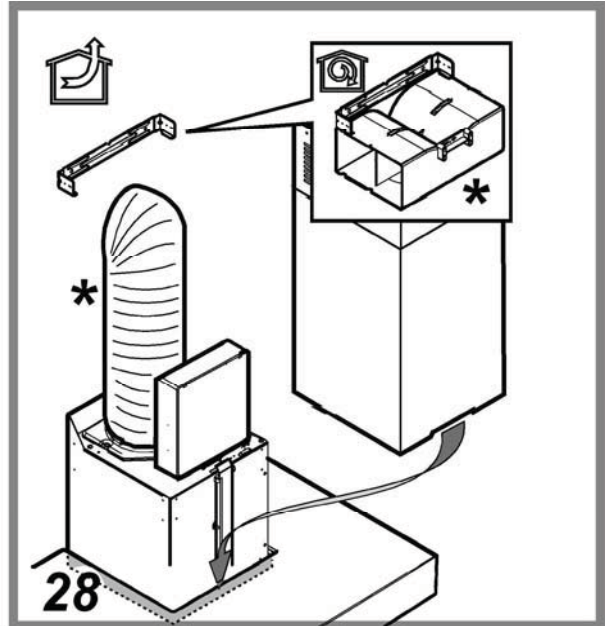
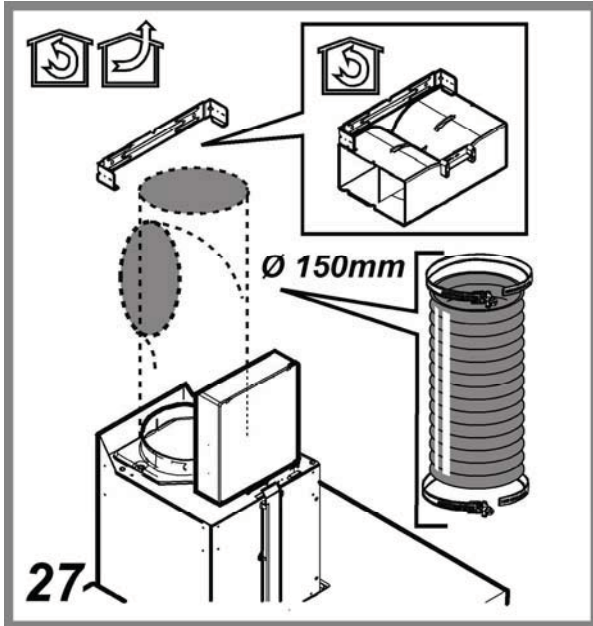


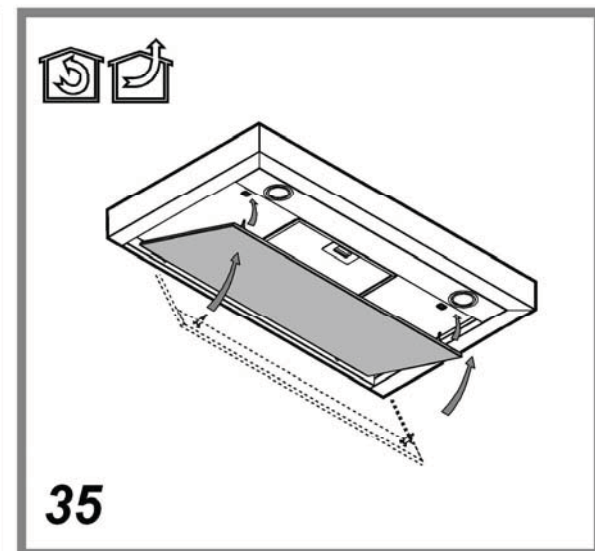
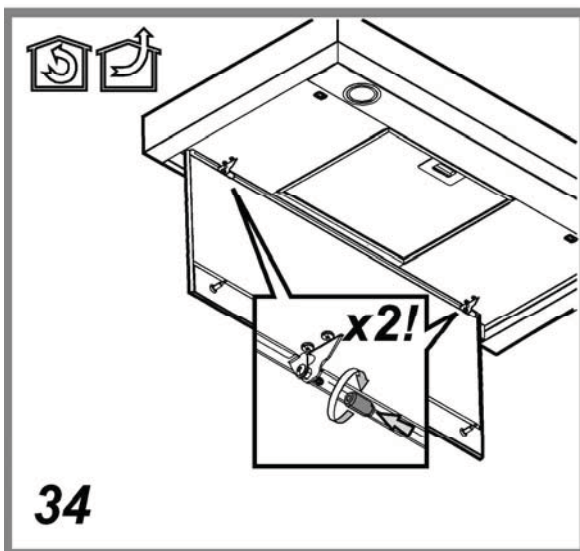
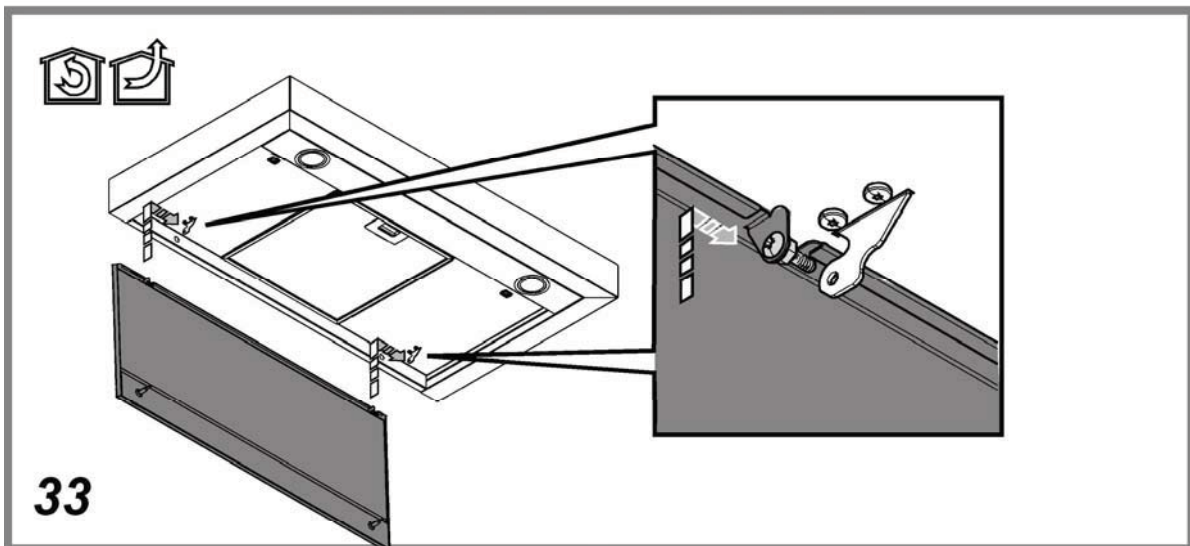
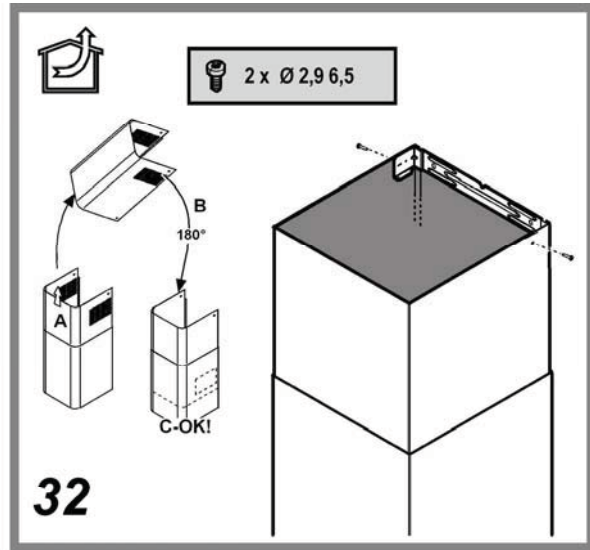
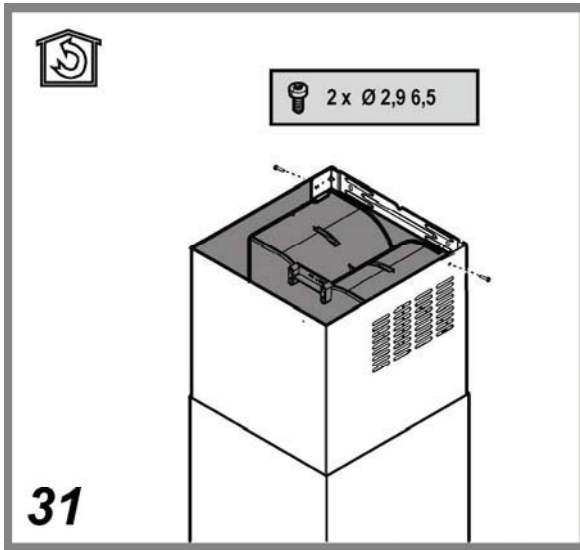












The hood can look different to that illustrated in the drawings in this booklet. The instructions for use, maintenance and installation, however, remain the same.

- ! It is important to conserve this booklet for consultation at any moment. In the case of sale, cession or move, make sure it is together with the product.
- ! Read the instructions carefully: there is important information about installation, use and safety.
- ! Do not carry out electrical or mechanical variations on the product or on the discharge conduits.

GENERAL SAFETY

The minimum distance between the supporting surface for the cooking equipment on the hob and the lowest part of the range hood must be not less than 50cm from electric cookers and 65cm from gas or mixed cookers.

If the instructions for installation for the gas hob specify a greater distance, this must be adhered to.

Expansion wall plugs are provided to secure the hood to most types of walls/ceilings. However, a qualified technician must verify suitability of the materials in accordance with the type of wall/ceiling. The wall/ceiling must be strong enough to take the weight of the hood. **Do not tile, grout or silicone this appliance to the wall. Surface mounting only.**

WARNING! Do not connect the appliance to the mains until the installation is fully complete.

Before any cleaning or maintenance operation, disconnect hood from the mains by removing the plug or disconnecting the mains electrical supply.

Always wear work gloves for all installation and maintenance operations.

The appliance is not intended for use by children or persons with impaired physical, sensorial or mental faculties, or if lacking in experience or knowledge, unless they are under supervision or have been trained in the use of the appliance by a person responsible for their safety.

This appliance is designed to be operated by adults, children should be monitored to ensure that they do not play with the appliance.

This appliance is designed to be operated by adults. Children should not be allowed to tamper with the controls or play with the appliance.

Never use the hood without effectively mounted grating!

The hood must NEVER be used as a support surface unless specifically indicated.

The premises where the appliance is installed must be sufficiently ventilated, when the kitchen hood is used together with other gas combustion devices or other fuels.

The ducting system for this appliance must not be connected to any existing ventilation system which is being used for any other purpose such as discharging exhaust fumes from appliances burning gas or other fuels.

The flaming of foods beneath the hood itself is severely prohibited.

The use of exposed flames is detrimental to the filters and may cause a fire risk, and must therefore be avoided in all circumstances.

Any frying must be done with care in order to make sure that the oil does not overheat and ignite.

Accessible parts of the hood may become hot when used with cooking appliance.

With regards to the technical and safety measures to be adopted for fume discharging it is important to closely follow the regulations provided by the local authorities.

The hood must be regularly cleaned on both the inside and outside (AT LEAST ONCE A MONTH).

This must be completed in accordance with the maintenance instructions provided in this manual). Failure to follow the instructions provided in this user guide regarding the cleaning of the hood and filters will lead to the risk of fires.

Do not use or leave the hood without the lamp correctly mounted due to the possible risk of electric shocks.

We will not accept any responsibility for any faults, damage or fires caused to the appliance as a result of the non-observance of the instructions included in this manual.

ELECTRICAL CONNECTION

The mains power supply must correspond to the rating indicated on the plate situated inside the hood. If provided with a plug connect the hood to a socket in compliance with current regulations and positioned in an accessible area, after installation. If it not fitted with a plug (direct mains connection) or if the plug is not located in an accessible area, after installation, apply a double pole switch in accordance with standards which assures the complete disconnection of the mains under conditions relating to over-current category III, in accordance with installation instructions.

Warning! Before re-connecting the hood circuit to the mains supply and checking the efficient function, always check that the mains cable is correctly assembled.

Replacing the power cable

The hood is provided with a special power cable ; if the cable is damaged, request a new one from Technical Service.

AIR VENT

(for the suction versions)

Connect the hood and discharge holes on the walls with a diameter equivalent to the air outlet (connection flange).

Using the tubes and discharge holes on walls with smaller dimensions will cause a diminution of the suction performance and a drastic increase in noise.

Any responsibility in the matter is therefore declined.

- ! Use a duct of the minimum indispensable length.
- ! Use a duct with as few elbows as possible (maximum elbow angle: 90°).
- ! Avoid drastic changes in the duct cross-section.
- ! Use a duct with an as smooth as possible inside.
- ! The duct must be made of certified material.
- ! The company declines any responsibility whenever these regulations are not respected.

FILTERING OR DUCTING ?

! Your cooker hood is ready to be used in suction version.

To use the hood in filtering version the special ACCESSORY KIT must be installed.

Check on the first pages of this manual if the ACCESSORY KIT is furnished or must be bought separately.

Note: If furnished, in certain cases, the additional activated carbon filtering system may be installed on the hood.

Information about the conversion of the hood from suction version to filtering version is present in this manual.



Ducting version

In this case the fumes are conveyed outside of the building by means of a special pipe connected with the connection ring located on top of the hood.

Attention! The exhausting pipe is not supplied and must be purchased apart.

Diameter of the exhausting pipe must be equal to that of the connection ring.

In the horizontal runs the exhausting pipe must be slightly slanted (about 10°) and directed upwards to vent the air easily from the room to the outside.

Attention! If the hood is supplied with active charcoal filter, then it must be removed.



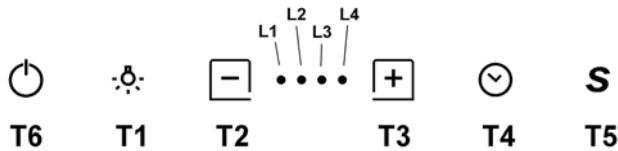
Filter version

One active charcoal filter is needed for this and can be obtained from your usual retailer.

The filter removes the grease and smells from the extracted air before sending it back into the room through the upper outlet grid.

CONTROLS

To select the functions of the hood just touch the commands.



T1. ON/OFF Lights

T2. Speed decrease

Press key "T2" to decrease the speed from 4 (intensive) to 1.
Press key "T2" during operation at speed 1, the hood moves to OFF state.

T3. Speed increase

Press button T3 and the hood moves to OFF state at speed 1.
Press the button (hood in ON state) to increase the motor speed from 1 to the intensive speed (timed).

Speed 1 LED L1

Speed 2 LED L1+L2

Speed 3 LED L1+L2+L3

Intensive speed (timed) LED L1+L2+L3+L4 flashing

Note: Speed 4 (intensive timed) keeps on for 5 minutes, after that the hood sets speed 2 automatically

T4. Speed timing / Filter saturation signal control and configuration

Speed timing:

The speed timing is activated by pressing key T4, when the timing has elapsed the hood switches off.

The timing is divided as follows:

Speed 1 - 20 minutes (LED L1 flashing)

Speed 2 - 15 minutes (LED L1+L2 flashing)

Speed 3 - 10 minutes (LED L1+L2+L3 flashing)

Intensive Speed - 5 minutes (LED L1+L2+L3+L4 flashing)

During the timed operation, press key T2 and the hood quits the timed mode and decreases the speed.

Press key T3 and the hood quits the timed mode and increases the speed.

Press key T4 and the hood quits the timed mode keeping the speed set.

Filter saturation signal control and configuration

Grease filter signal

After 80 working hours LED L1 flashes.

When such signal appears, carry out the maintenance of the grease filter.

To reset the signal: with hood on, keep key T4 pressed for 5".

The hood gives out a "BEEP" and then it switches off; LED L1 stops flashing.

Charcoal filter signal

After 320 working hours LED L2 flashes.

When such signal appears, carry out the maintenance of the charcoal filter.

To reset the signal: with hood on, keep key T4 pressed for 5".

The hood gives out a "BEEP" and then it switches off; LED L2 stops flashing.

In the case of contemporaneous signaling of both filters, LEDs L1 and L2 flash.

The signal is reset by carrying out the procedure described above 2 times.

The first time it resets the charcoal filter signal, the second time it resets the grease filter signal.

Note: In the standard mode the charcoal filter signal is not active.

When the hood is used in filter version, activate the charcoal filter signal.

Activating charcoal filter signal:

Set the hood to OFF and keep key "T4" pressed for 5".

As soon as the key is pressed, the relevant LEDs of the signals of the filters currently active will light up. Keep pressing, the hood will give out a "BEEP" and LED L2 will flash for 2".

LEDs L1 and L2 remain on for about 2" before the hood gets back to OFF state.

Deactivating charcoal filter signal:

Set the hood to OFF and keep key "T4" pressed for 5".

As soon as the key is pressed, the relevant LEDs of the signals of the filters currently active will light up. Keep pressing, the hood will give out a "BEEP" and LED L2 will switch off.

LED L1 remains on for about 2" before the hood gets back to OFF state.

T5. Sensor control key (ON-Automatic mode / OFF-Manual mode):

Automatic operating mode (COOKING)

The system is set by default to the "manual operating mode", to activate the "automatic operating mode" press key "T5".

With hood off: LEDs L1+L4 switch on

With hood on: the LED of the speed selected switches on while the other LEDs start flashing.

During cooking, the system promptly reacts to Vapour/Gas increases: it switches the hood on at the most suitable speed and keeps working at the same speed for at least 1 minute, before getting back to the lowest speed/switching off.

When cooking is over and the environmental parameters are back on the levels prior to cooking the system switches off.

Note: If the parameters are close to the rest condition the system forces the hood switching-off after 30 minutes.

It is possible to deactivate the "automatic operating mode" as follows:

- Press key "T5" and the motor gets back to the "manual operating mode".

Note: it is also possible to get back to the manual operating mode by pressing keys "T2", "T3" or "T6", the system decreases ("T2"), increases ("T3") the motor speed or switches ("T6") the hood off.

T6. ON/OFF Suction motor:

With hood on at any speed, press key "T6" and the hood switches off.

With hood off, press key "T6" and the hood switches on at Speed 1.

Selection of the hob

This operation is necessary to optimize the automatic functioning of the hood, according to the type of hob selected.

Note: The hob set by default is the Gas hob.

To select a different hob (or to check the hob set) follow the instructions below:

Set the hood to OFF

Press keys "T2" and "T3" contemporaneously for about 5 seconds until the hob being used is displayed (the hood gives out a "BEEP" signal).

Gas hob: LED "L1" on

Induction hob: LED "L2" on

Electric hob: LED "L3" on

The cyclical selection of the hob is possible by pressing keys "T2" or "T3".

Once the hob has been selected, wait for 10" to accept the function.

The acceptance of the hob selected is displayed by the sequence of 3 flashes of the relevant LED of the hob selected.

After selecting the hob it is necessary to carry out the "Sensor calibration" again.

Sensor calibration (Automatic or Manual)

In order that the sensor responds correctly to the thermal stresses produced by the hob below it is necessary to calibrate the sensor.

Note: before calibrating the sensor carry out the "Selection of the hob", see previous paragraph.

Note: Carry out the calibration when installing the hood for the first time, after a long period of non-use or a blackout.

The calibration must be carried out with motor off.

Automatic calibration of the sensor

The automatic calibration of the sensor starts as soon as the hood is fed (visible by pressing key T5), LEDs L1+L4 flash for a period of time that can vary according to the hob selected, however no longer than fifteen minutes

Manual calibration of the sensor

Note: Carry out the manual calibration after a long period of non-use, after a blackout or when there is a very quick change in temperature in the kitchen

The calibration can be carried out manually:

Set the hood to OFF

When keys "T6" and "T5" are pressed contemporaneously for 5", LEDs "L1" and "L4" start flashing for a period of time that can vary according to the hob selected, however no longer than fifteen minutes

Sensor test

The sensors are tested constantly during the automatic operation.

In the case of failure the display shows all flashing LEDs (contact the technical service).

The hood can be used in manual mode anyway.

MAINTENANCE

ATTENTION! Before performing any maintenance operation, isolate the hood from the electrical supply by switching off at the connector and removing the connector fuse.

Or if the appliance has been connected through a plug and socket, then the plug must be removed from the socket.

Cleaning

The cooker hood should be cleaned regularly (at least with the same frequency with which you carry out maintenance of the fat filters) internally and externally. Clean using the cloth dampened with neutral liquid detergent. Do not use abrasive products. **DO NOT USE ALCOHOL!**

WARNING: Failure to carry out the basic cleaning recommendations of the cooker hood and replacement of the filters may cause fire risks.

Therefore, we recommend observing these instructions.

The manufacturer declines all responsibility for any damage to the motor or any fire damage linked to inappropriate maintenance or failure to observe the above safety recommendations.

Perimeter aspiration panel

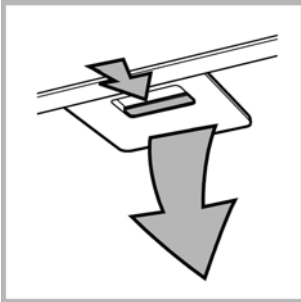
Clean the perimeter aspiration panel with the same frequency as the anti-fats filter, using a cloth and not too concentrated liquid detergent. Do not use abrasive substances.

Maintenance of the anti-grease filters**Traps cooking grease particles.**

This must be cleaned once a month (or when the filter saturation indication system – if envisaged on the model in possession – indicates this necessity) using non aggressive detergents, either by hand or in the dishwasher, which must be set to a low temperature and a short cycle.

When washed in a dishwasher, the grease filter may discolour slightly, but this does not affect its filtering capacity.

To remove the grease filter, pull the spring release handle.

**Maintenance of the charcoal filter****It absorbs unpleasant odours caused by cooking.**

The saturation of the charcoal filter occurs after more or less prolonged use, depending on the type of cooking and the regularity of cleaning of the grease filter.

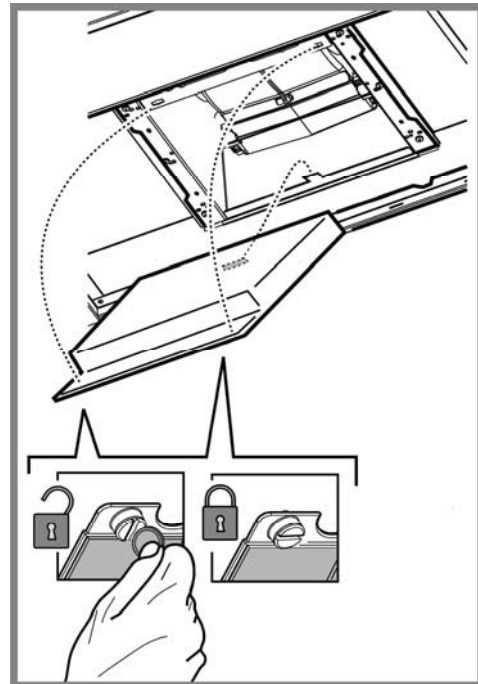
In any case it is necessary to replace the cartridge at least every four months (or when the filter saturation indication system – if envisaged on the model in possession – indicates this necessity). The charcoal filter may NOT be washed or regenerated.

Assembly

Hook the charcoal filter at the back on the metal tongue of the hood first, then on the front with the two knobs.

Disassembly

Remove the charcoal filter by turning the knobs fixing it to the hood by 90°.

**Replacing lamps**

The hood is equipped with a lighting system based on LED technology.


The LEDs guarantee an optimum lighting, a duration up to 10 times as long as the traditional lamps and allow to save 90% electrical energy.

For replacement, contact the technical service.

DISPOSAL

This appliance is marked according to the European directive 2002/96/EC on Waste Electrical and Electronic Equipment (WEEE). By ensuring this product is disposed of correctly, you will help prevent potential negative consequences for the environment and human health, which could otherwise be caused by inappropriate waste handling of this product.



The symbol  on the product, or on the documents accompanying the product, indicates that this appliance may not be treated as household waste. Instead it should be taken to the appropriate collection point for the recycling of electrical and electronic equipment. Disposal must be carried out in accordance with local environmental regulations for waste disposal.

For further detailed information regarding the process, collection and recycling of this product, please contact the appropriate department of your local authorities or the local department for household waste or the shop where you purchased this product.

MALFUNCTIONS

If something appears not to be working properly, do the following simple checks before calling Technical Service:

- If the hood is not working:
Check that:
 - The power has not been disconnected.
 - A speed has been selected.
- If the hood performs inefficiently:
Check that:
 - The motor speed selected is sufficient for the amount of smoke and vapours released.
 - The kitchen is sufficiently ventilated to allow air intake.
 - The charcoal filter is not worn (hood in filtering version).
- If the hood has turned off during normal functioning:
Check that:
 - The power has not been disconnected.
 - the omnipolar disconnection device has not tripped.

If the hood fails to operate correctly, briefly disconnect it from the mains power supply for almost 5 sec. by pulling out the plug. Then plug it in again and try once more before contacting the Technical Assistance Service.

TECHNICAL DATA

Model HKB 9 LS X

Height (Ducting version) **63-116,5 cm**

Height (Filter version) **71,7-116,5 cm**

Width **89,8 cm**

Depth **47,8 cm**

Gross weight: **26,4 Kg**

Total absorption **320 W**

Motor absorption **1x315 W**

Lamp absorption **2x3 W**

Exhaust pipe Ø **15 cm**

This appliance conforms to the following EEC Directive:

- "Low Voltage Equipment" Directive 2006/95/EC (12-12-2006)
- "Electromagnetic Compatibility" Directive 2004/108/EC (15-12-2004)



Components not provided with the product