

# MWKA422X

## Built In Microwave Grill



### 60cm Built In Microwave Grill Combi

#### Features and Benefits:

**40L Capacity**

**Output Power: 1000W**

**Microwave, Grill, Microwave + Grill,**

**10 Power Levels**

**Electronic timer with end cooking signal**

**Black Glass and Stainless Steel Finish**

#### Distributed by Arisit Pty Ltd

40-44 Mark Anthony Drive, Dandenong South VIC 3175  
Howe Street, Newton, Auckland NZ 1145

Ph: 1300 762 219  
Ph:(09) 306 1020

Fax: 03 9768 0838  
Fax: (09) 302 0077

Website: [www.arisit.com1A](http://www.arisit.com1A)

# MWKA422X

## Built In Microwave Grill



 **ARISTON**

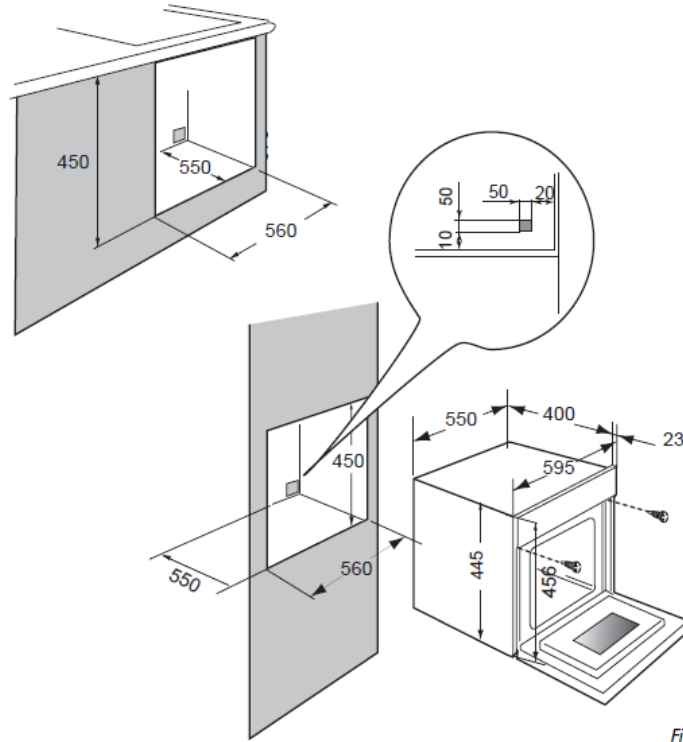


Fig. 1

### Technical Specifications:

Wattage	1000
Capacity	40L
No. Power Levels	10
Display	LED with Knobs & Buttons
Additional Functions	Grill, Micro + Grill
Finish	Stainless Steel and Black
Dimensions (W) x (H) x (D)	595 x 456 x 423
Dimensions (W) x (H) x (D) Built in	560 x 450 x 550

Technical	
Turntable Diameter	36mm
Lights	1 x 25w
Cable Length	1.25m
Absorbed Power	3200W
Connection	220-240V/50Hz/15A

WARNING: technical specifications and product sizes can be varied by the manufacturer, without notice. Cut outs for appliances should only be by physical product measurements. The above information is indicative only.

**Distributed by Arisit Pty Ltd**

40-44 Mark Anthony Drive, Dandenong South VIC 3175 Ph: 1300 762 219 Fax: 03 9768 0838 Website: [www.arisit.com](http://www.arisit.com)

1A Howe Street, Newton, Auckland NZ 1145

Ph:(09) 306 1020 Fax: (09) 302 0077