

OK 999 ELD PX AUS S

60cm Built In Oven



ARISTON



60cm Large Capacity Oven - 4 Ovens in 1

Features and Benefits:

10 Cooking Functions in the XL oven	7 Universal programs and 3 Automatic programs makes this oven extremely versatile
Split Cavity Option	By putting the divider in place you can create 2 separate ovens. You can cook with 2 different temperatures and cooking functions at the same time. Perfect for the home baker or aspiring chef's alike. This is by far the most versatile oven on the market
Pyrolytic Cleaning	Pyrolytic oven turns food residue and grime into ash which can then be easily wiped clean using a damp cloth. No harsh chemicals or scrubbing required
Large Capacity	81L of space, with up to 4 levels of cooking at a time. And with no cross over of flavours or smells so you can cook different dishes all at once
Fully Programmable Timer	You can program the oven to turn on and off at the desired times, or simply use it as a countdown timer
Triple Glazed Door	Cool touch door makes it safer for all the family in the kitchen. Less chance of burning yourself if the door is accidentally touched while the oven is on.
LED Lighting	Stylish Led lights so you can see what your cooking
Telescopic Rails	Makes moving and removing your food from the oven very easy. The rails simply slide so there is no need to lift your trays when cooking
Rotisserie	Cooking and roasting meat is so easy with the easy to use rotisserie

Distributed by Arisit Pty Ltd

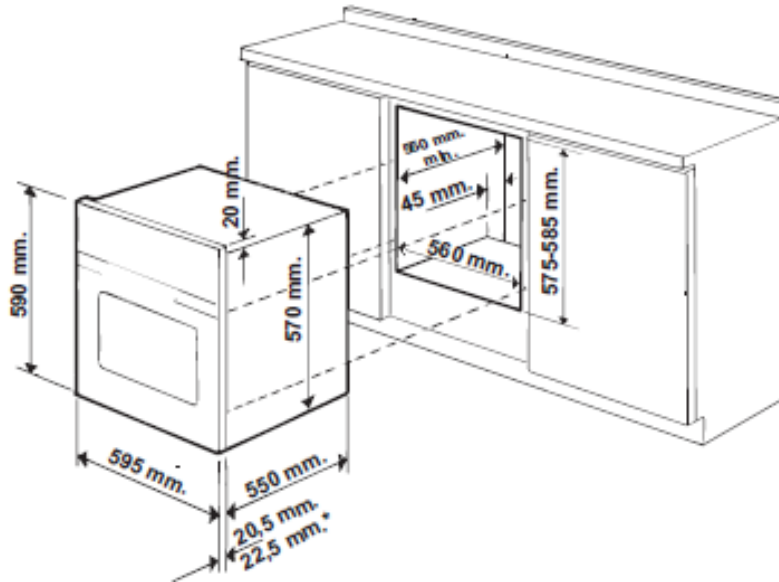
40-44 Mark Anthony Drive, Dandenong South VIC 3175 Ph: 1300 762 219 Fax: 03 9768 0838 Website: www.arisit.com

1A Howe Street, Newton, Auckland NZ 1145

Ph:(09) 306 1020 Fax: (09) 302 0077

OK 999 ELD PX AUS S

60cm Built In Oven



Technical Specifications:

No. Functions	10 Multifunction
Oven Capacity (Gross)	81L
Timer	Fully Programmable
No. Door Glass	3
Cleaning	Pyrolytic
Finish	Stainless Steel
Dimensions built in (W) x (H) x (D)	595 x 570/20 x 550

Technical	
Accessories	1 x tray & grid, 3 x shelves, 1 x divider, 1 x rotisserie
Cooling Fan	Y
Absorbed Power	3400W
Connection	220-240V / 50Hz / 14.8A

WARNING: technical specifications and product sizes can be varied by the manufacturer, without notice. Cut outs for appliances should only be by physical product measurements. The above information is indicative only.

Distributed by Arisit Pty Ltd

40-44 Mark Anthony Drive, Dandenong South VIC 3175 Ph: 1300 762 219 Fax: 03 9768 0838 Website: www.arisit.com

1A Howe Street, Newton, Auckland NZ 1145

Ph:(09) 306 1020 Fax: (09) 302 0077