

FK898 P X AUS

60cm Built In Oven



60cm 10 function built in oven

Features and Benefits:

10 Cooking Functions	Multilevel, Barbeque, Gratin, Pizza, Pastries, Low Temperature, Fast Cooking, Eco, Bread, Cakes
Glass Inner Door	No crevasses for food to get trapped in so it's easier to clean
Telescopic Guides	Better when cooking large dishes as they hold the weight of the dish making it easier to tend to the meal. Also great for delicate dishes as it minimises bumping the dish
Anti Touch Stainless Steel	Easy clean stainless steel finish, and Fingerprint resistant finish
Fully Programmable Clock and Timer	Simply set and forget. The oven will turn on and/or off at the specified time.
Pyrolytic Fast Cleaning	Just set and forget. The oven will automatically go through an intense cleaning cycle. Just wipe out the base of the machine with a damp cloth once its finished.

Distributed by Arisit Pty Ltd

40-44 Mark Anthony Drive, Dandenong South VIC 3175 Ph: 1300 762 219 Fax: 03 9768 0838 Website: www.arisit.com

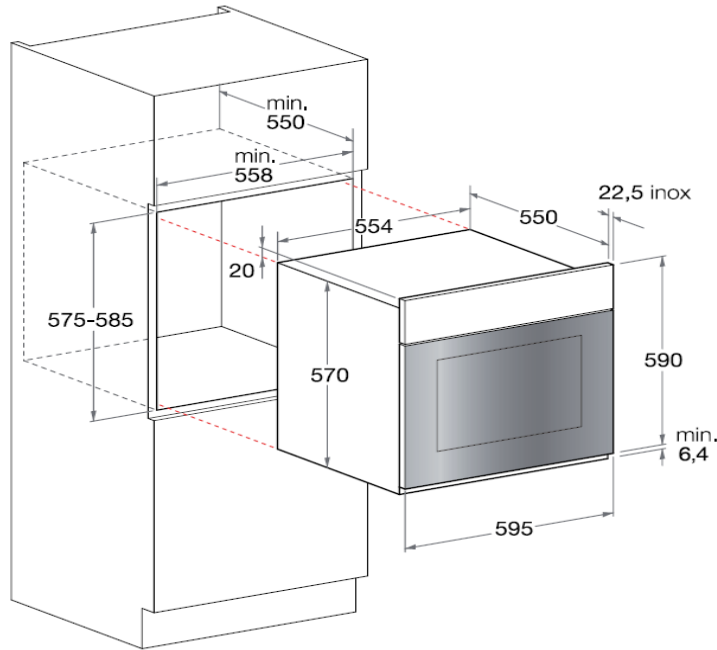
1A Howe Street, Newton, Auckland NZ 1145

Ph:(09) 306 1020

Fax: (09) 302 0077

FK898 P X AUS

60cm Built In Oven



Technical Specifications:

No. Functions	10
Oven Capacity (Gross)	66L
Timer	Fully programmable—24hr
Controls	Electronic knobs and touch buttons
No. Door Glass	3
Cleaning	Pyrolytic
Finish	Stainless Steel and Black Glass
Dimensions (W) x (H) x (D)	595 x 590 x 550

Technical	
Accessories	1 x deep tray, 1 x shallow tray, 2 x grids, telescopic guides
Cooling Fan	Y
Absorbed Power	2800W
Connection	220-240V/50/60Hz/12.1A

WARNING: technical specifications and product sizes can be varied by the manufacturer, without notice. Cut outs for appliances should only be by physical product measurements. The above information is indicative only.

Distributed by Arisit Pty Ltd

40-44 Mark Anthony Drive, Dandenong South VIC 3175 Ph: 1300 762 219 Fax: 03 9768 0838 Website: www.arisit.com

1A Howe Street, Newton, Auckland NZ 1145

Ph:(09) 306 1020 Fax: (09) 302 0077