

MD 554 IX A

Microwave with crisp and grill



Microwave with grill

Features and Benefits:



MULTIWAVE TECHNOLOGY : Cooking, crisping, steaming, reheating and defrosting always in total control for outstanding results.



Dynamic Crisp: This function guarantee perfect results, cooking crispy delicious food perfectly baked in few minutes.



Dynamic Defrost: Thanks to Multiwaves technology and special algorithms developed for each food category ensure food always defrosted evenly.

PRODUCT SPECS:

- 38cm built in Microwave
- 31lt capacity
- Stainless steel cavity
- 32,5cm turntable
- Main Functions: mw; grill
- Special functions: Dynamic Crisp; Dynamic Defrost
- Drop down door
- Dimensions: (HxWxD): 385x595x468mm

WARNING: technical specifications and product sizes can be varied by the manufacturer, without notice. Cut outs for appliances should only be by physical product measurements. The above information is indicative only.

Distributed by Arisit Pty Ltd

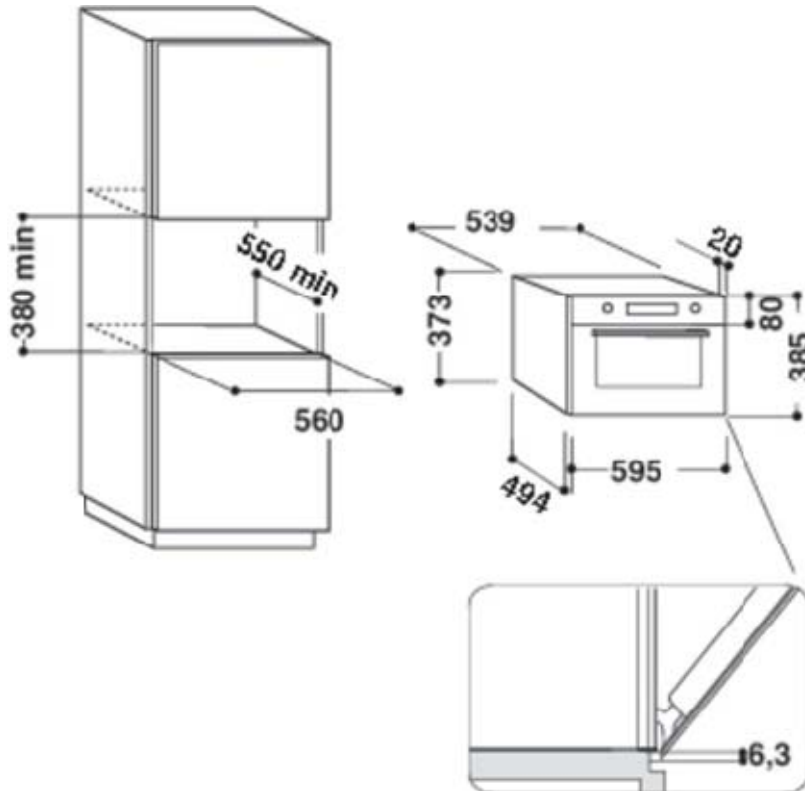
40-44 Mark Anthony Drive, Dandenong South VIC 3175 Ph: 1300 762 219 Fax: 03 9768 0838 Website: www.arisit.com

1A Howe Street, Newton, Auckland NZ 1145

Ph:(09) 306 1020 Fax: (09) 302 0077

MD554 IXA

Microwave with crisp and grill



Technical Specifications:

Technical Specifications

Voltage (V)	220-240
Frequency (Hz)	50-60
Absorbed Current (A)	9
Type of energy	Electric
Absorbed Power (W)	2100
Oven Capacity (Net)	31 ltr
Plug and lead	10 AMP

Height of the product	385
Depth of the product	468
Width of the product	595

WARNING: technical specifications and product sizes can be varied by the manufacturer, without notice. Cut outs for appliances should only be by physical product measurements. The above information is indicative only.

Distributed by Arisit Pty Ltd

40-44 Mark Anthony Drive, Dandenong South VIC 3175 Ph: 1300 762 219 Fax: 03 9768 0838 Website: www.arisit.com

1A Howe Street, Newton, Auckland NZ 1145

Ph:(09) 306 1020

Fax: (09) 302 0077